



Recessed Round Ceiling Light

24W

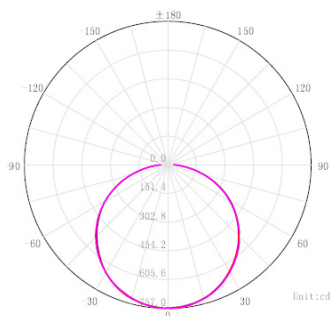
Applications:

Residential and Commercial Applications.

- Ultra Slim Maintenance Free LED Downlight.
- Frosted Polycarbonate Diffuser allowing for uniform light distribution.
- Pure Aluminium housing for excellent thermal management.
- Dimmable / Dali Optional.
- Available in 3000K/4000K/6000K.
- Sanan SMD LED Chips.
- Instant on flicker free LED Driver.
- Ideal for offices, hospitals, schools, corridors etc.
- High Power Factor, low THD driver.
- 1.5kV Built in Surge Protection.
- Short Circuit Protection, Over Current Protection, Over Voltage Protection, Under Voltage Protection, Over Temperature Protection.
- 3mm PMMA Light Guide preventing dark spots and yellowing through extended usage.

Product Performance	
Wattage	24W
Colour Temperature & Stock	i012 6000K i013 4000K
Operating Temperature	-20~45°C
Life Span/ LB Rating	L80B10@25000hrs
IP Rating	40
LED Driver	High Spec PiOLED Driver
Beam Angle	120°
Input Voltage	85V- 277V
CRI	>83
Power Factor	>0.9
Surge Protection	1.5kV
Lumen Output	2 300lm
Lumen Efficiency (per watt)	76-95m/W
LED Chips	2835 Sanan
LED Chips Qty	120
Dimmable	Optional Dimmable Driver 24W Dim i012Di
Dimmable Range	-
(Dali/Trailing/Leading)	-
UGR	-
Physical Characteristics	
Weight (g)	615
Housing Material	Aluminium
Product Dimensions (mm)	295 mm*12mm
Cable length	10-12cm
Mounting Option	Recessed
Bracket Material	-
Bolts and Screws	Stainless Steel

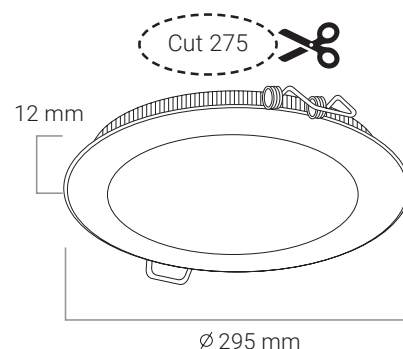
Luminous Intensity Distribution Diagram



Packaging



Dimension Drawing



Technical Parameters

Input Current	117mA
Output Voltage	45-84V
Flicker Free (Y/N)	Yes
Humidity	80%
Frequency	50-60Hz
In Rush Current	0.6A
Output Current	300mA
THD	10%-15%
TA & TC	45/85
IES (Yes or No)	Yes

Regulatory Qualifications

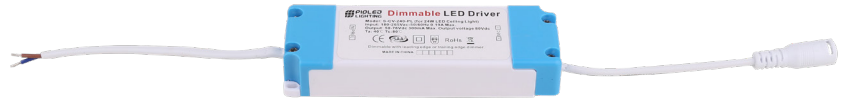
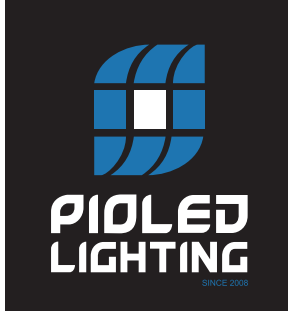
Class Rating	Class I
Energy Efficiency	A
Certification	CE, EMC, IEC60598, TUV, LVD, SAA, RoHS, ISO9001

Accessories

Optional accessories	Dimmable Driver 24W Dim i012Di 24W Driver i012PS
-----------------------------	---

Packaging info

Storage Temp	-20°C-80°C
Carton Size (mm)	63*41*36
QTY/CTN	20
Net Weight (kg)	12,8
Gross Weight (kg)	16,8



24W Panel Dim Driver

Product Performance

Wattage	24W
Operating Temperature	-10~50°C
LED Driver	High Spec PioLED Driver
Beam Angle	120°
Input Voltage	180V- 265V
CRI	>83
Power Factor	>0.9
Surge Protection	1.5kV
Dimmable	Yes
Dimmable Range	0-100
(Dali/Trailing/Leading)	Traic/leading

Physical Characteristics

Weight (g)	116
Housing Material	PC
Product Dimensions (mm)	130*43*21
Cable length	13cm

Technical Parameters

Input Current	<150mA
Output Voltage	30-63V
Flicker Free (Y/N)	Yes
Frequency	50-60Hz
Output Current	300mA
THD	<15%
TA & TC	50/80

Packaging info

Storage Temp	-20°C-80°C
Carton Size (mm)	44*22*28
QTY/CTN	100
Net Weight (kg)	11
Gross Weight (kg)	11.8