

# Mario Tilt LED Downlighter

## 35W

### Applications:

Residential and Commercial Applications.

- USA Bridgelux COB LED Chip with an effective lumen output of 100lm/W.

- L80B10 @ 50 000hrs rated lifespan with a built in 2kV surge protection & Flicker Free Technology.

- Tiltable High Power (35W) Recessed Downlighter with a 36° Beam Angle.

- High CRI >85 LED luminaire, ideal for delicate retail or commercial environments where colour rendering is of extreme importance.

- Pure Aluminium Housing allowing for maximum heat dissipation.

- Deep recessed COB LED Chip designed to reduced glare whilst providing maximum lumen output.

### Product Performance

<b>Wattage</b>	35W
<b>Colour Temperature &amp; Stock Code</b>	• 3000K/4000K/6000K (3CCT) - <b>HD020</b>
<b>Operating Temperature</b>	-15~45°C
<b>Life Span/ LB Rating</b>	L80B10@50 000hr
<b>IP Rating</b>	IP40
<b>LED Driver</b>	High Spec PioLED Driver
<b>Beam Angle</b>	36°
<b>Impact Protection Grade</b>	IK05
<b>Input Voltage</b>	200V-277V
<b>Surge Protection</b>	2kV
<b>Power Factor</b>	0.95
<b>CRI</b>	>80
<b>Lumen Output</b>	3 500 Lumens
<b>Lumen Efficiency</b>	100
<b>LED Chips</b>	High Lumen Bridgelux COB
<b>LED Chips Qty</b>	1
<b>Dimmable</b>	Non-dimmable
<b>Dimmable Range</b>	-
<b>(Dali/Trailing/Leading)</b>	-
<b>UGR</b>	19

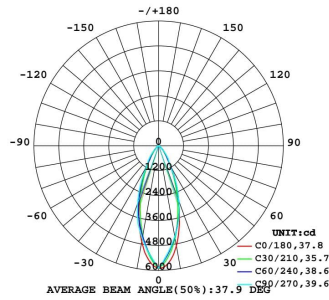
### Physical Characteristics

<b>Weight (g)</b>	970
<b>Housing Material</b>	Aluminium
<b>Product Dimensions (mm)</b>	165*130 - Cut 150
<b>Cable Length</b>	-
<b>Mounting Option</b>	Recessed
<b>Bracket Material</b>	-
<b>Bolts and Screws</b>	Iron

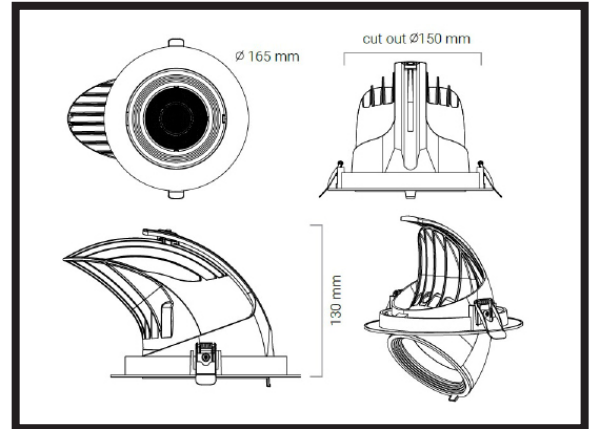
## Packaging



## Luminous Intensity Distribution Diagram



## Dimension Drawing



## Technical Parameters

<b>Input Current</b>	0.17A
<b>Output Voltage</b>	25-40V
<b>Humidity</b>	10-80%
<b>Frequency</b>	50-60Hz
<b>In Rush Current</b>	30A
<b>Output Current</b>	850mA
<b>THD</b>	<15%
<b>TA &amp; TC</b>	45/80
<b>IES (Yes or No)</b>	Yes

## Regulatory Qualifications

<b>Class Rating</b>	Class II
<b>Energy Efficiency</b>	A
<b>Certification</b>	CE, EMC, IEC60598, ErP

## Accessories

### Optional accessories

-

## Packaging info

<b>Storage Temp</b>	-20~50°C
<b>Carton Size (mm)</b>	550*375*315
<b>QTY/CTN</b>	12
<b>Net Weight</b>	11.8
<b>Gross Weight</b>	13.5