



# Beacon A60 3CCT Rechargeable Bulb

6W

## Applications:

Residential and Commercial Applications.

- Lithium battery which will last for **> 4hrs on Battery Mode** once fully charged.

- 6W LED Lamp which will change to **3W on Battery Mode** is activated allowing you to continue daily activities when the power is off.

- **PC housing** with internal aluminium allowing for efficient heat dissipation.

- High Brightness 2835 Sanan LED Chips producing 600lm.

- 3CCT LED Lamp available in **E27 & BC bases** for maximum versatility.

- **210° beam angle** for maximum light distribution.

## Product Performance

<b>Wattage</b>	6W
<b>Colour Temperature &amp; Stock Code</b>	3000K/4000K/6000K 3CCT (E27) - <b>B034</b> 3000K/4000K/6000K 3CCT (B22) - <b>B035</b>
<b>Operating Temperature</b>	-10~50°C
<b>Life Span/ LB Rating</b>	15 000hrs
<b>IP Rating</b>	IP20
<b>Emergency Lumen</b>	300lms
<b>Beam Angle</b>	210°
<b>Battery</b>	18650 - 1200mAh/3.7V
<b>Input Voltage</b>	180V-265V
<b>Surge Protection</b>	1.5kV
<b>Power Factor</b>	0.9
<b>CRI</b>	>83
<b>Charge Hours</b>	4-5 hr (>10 hr for the first charge)
<b>Emergency Hours</b>	>4 hr on full charge
<b>IK Rating</b>	01
<b>LED Chips Qty</b>	6V 1W 9pcs
<b>Dimmable</b>	Non-dimmable
<b>LED Chips Type</b>	2835 Sanan
<b>Lumen Output</b>	600lm
<b>Lumen Efficiency</b>	100lm/w

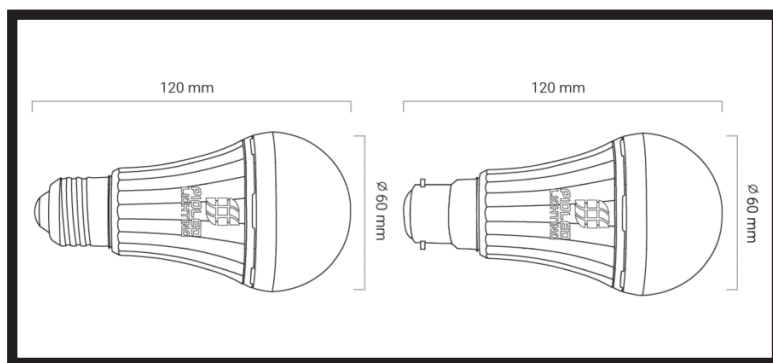
## Physical Characteristics

<b>Weight (g)</b>	70
<b>Housing Material</b>	PC & Internal Plastic
<b>Product Dimensions (mm)</b>	L120*W60
<b>Cable Length</b>	-
<b>Mounting Option</b>	-
<b>Bracket Material</b>	-
<b>Bolts and Screws</b>	-

## Packaging



## Dimension Drawing



## Technical Parameters

<b>Input Current</b>	-
<b>Output Voltage</b>	-
<b>Humidity</b>	-
<b>Frequency</b>	-
<b>In Rush Current</b>	-
<b>Output Current</b>	-
<b>THD</b>	-
<b>TA &amp; TC</b>	-
<b>IES (Yes or No)</b>	-
<b>Regulatory Qualifications</b>	
<b>Class Rating</b>	Class II
<b>Energy Efficiency</b>	A
<b>Certification</b>	MSNS, UN38.3, CE-LVD, CB & RoHS
<b>Accessories</b>	
<b>Optional accessories</b>	-
<b>Packaging info</b>	
<b>Storage Temp</b>	-
<b>Carton Size (mm)</b>	L65*W32*H24
<b>QTY/CTN</b>	100
<b>Net Weight</b>	7
<b>Gross Weight</b>	11,5