

Voltron 4CCT & 3 Wattage Coastal Floodlight

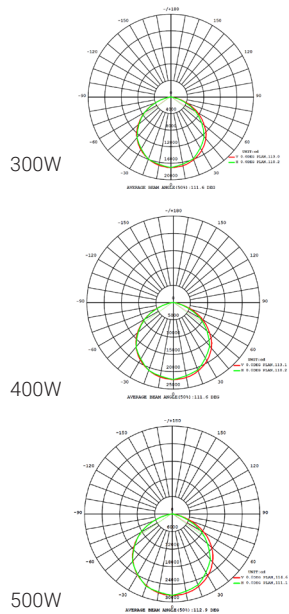
500/400/300W

Applications:

Residential and Commercial Applications.

Product Performance	
Wattage	500W/400W/300W
Colour Temperature & Stock Code	2200/3000/4000/6000K - F022
Operating Temperature	-20~40°C
Life Span/ LB Rating	L70B50@50000 hrs
IP Rating	IP65
LED Driver Brand	High Spec PioLED Driver
Beam Angle	120°
Impact Protection Grade	IK06
Input Voltage	90-305V
Surge Protection	10kV
Power Factor	0.9
CRI	>80
Lumen Output	500W = 75 000lm 400W = 60 000lm 300W = 45 000lm
Lumen Efficiency	150lm/W
LED Chips	Philips 2835
LED Chips Qty	1600
Physical Characteristics	
Weight (kg)	7900g
Housing Material	Powder Coated Aluminium
Product Dimensions (mm)	561*459*59
Cable Length	50cm
Mounting Option	-
Bracket Material	304 Stainless Steel Bracket
Bolts and Screws	Stainless Steel

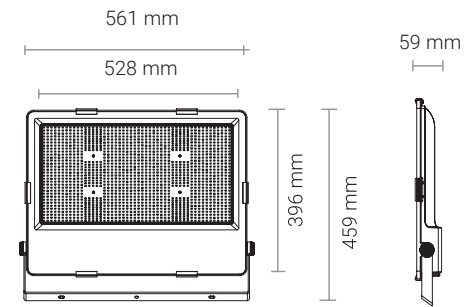
Luminous Intensity Distribution Diagram



Packaging



Dimension Drawing



Technical Parameters

Input Current	2.0A-5.5A
Output Voltage	300V
Humidity	40%-60%
Frequency	50/60Hz
In Rush Current	1000A
Output Current	1.54A
THD	<20%
TA & TC	TA=90/TC=85
IES (Yes or No)	Yes

Regulatory Qualifications

Class Rating	Class I
Energy Efficiency	A
Certification	CE, EMC, IEC60598

Accessories

Optional accessories	-
-----------------------------	---

Packaging info

Storage Temp	-20~+40°C
Carton Size (mm)	60.5*23*53
QTY/CTN	2
Net Weight	15,8
Gross Weight	17