

Thor Coastal Floodlight

20W

Applications:

Residential and Commercial Applications.

- High Lumen Philips 3030 LED Chip achieving 130lm/W for 20-50W, 140lm/W for 100-200W and 150lm/W for 500W THOR.
- Integrated IP65 constant current LED Power Supply with built in 3-10kV Surge Protection.
- Dynamic thermal management design maximizing heat dissipation ultimately increase the service life of the luminaire.
- Robust design allows for demanding applications.
- Our Premium Range LED Floods come complete with a 1m installation cable.
- 20 to 500W come complete with a breather gland reducing all forms of condensation that may occur due to harsh climatic conditions.
- Aluminium housing with anti-corrosive powder coating finish.
- 316 Stainless steel screws and bolts with 304 Stainless steel reinforced extended bracket.
- White reflector allowing for maximum light distribution.
- Eco-friendly alternative to HID lamps containing no mercury, lead or other harmful chemicals.
- Instant on LED Light Source.

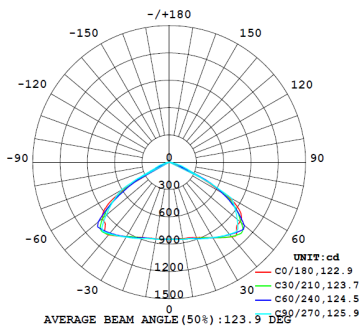
Product Performance

Wattage	20W
Colour Temperature & Stock Code	6000K F103 4000K F104 3000K F105
Operating Temperature	-30~40°C
Life Span/ LB Rating	L80B20>50000H
IP Rating	IP66
LED Driver Brand	High Spec PioLED Driver
Beam Angle	120°
Impact Protection Grade	IK10
Input Voltage	100V- 277V
Surge Protection	3kV
Power Factor	0.95
CRI	>80
Lumen Output	2 600
Lumen Efficiency	130lm/W
LED Chips	Philips 3030
LED Chips Qty	16
Dimmable	Non-Dimmable
Dimmable Range	-
UGR	32
(Dali/Trailing/Leading)	-

Physical Characteristics

Weight (kg)	0,64
Housing Material	Die cast Aluminium
Product Dimensions (mm)	182*122*47
Cable Length	1m
Mounting Option	-
Bracket Material	304 Stainless Steel Bracket
Bolts and Screws	316 Stainless Steel

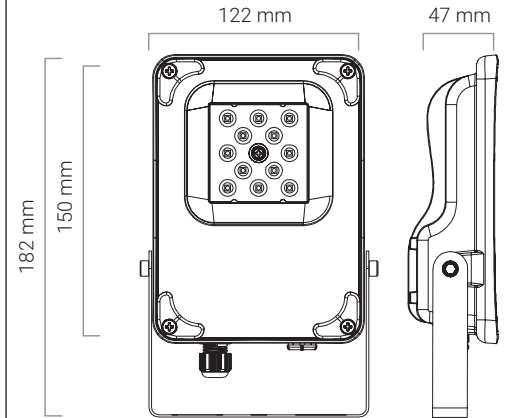
Luminous Intensity Distribution Diagram



Packaging



Dimension Drawing



Technical Parameters

Input Current	100mA
Output Voltage	48
Flicker Free (Y/N)	Yes
Humidity	40%~80%
Frequency	47-63hz
In Rush Current	30A
Output Current	0.35A
THD	<20%
TA & TC	TA=-20 ~45 °C/TC=65°C
IES (Yes or No)	Yes

Regulatory Qualifications

Class Rating	Class I
Energy Efficiency	A
Certification	CE, EMC, IEC60598, RoHS,ISO9001

Accessories

Optional accessories	Pole Mount Bracket - F025D
-----------------------------	----------------------------

Packaging info

Storage Temp	-40~+60°C
Carton Size (mm)	405*275*290
QTY/CTN	20
Net Weight	13
Gross Weight	15



**PIOLED
LIGHTING**
SINCE 2008

F025D - Pole Holder D84
Costal HD 20-240W
Aluminium and Stainless
Steel Bolts
211mm x 125mm x 75mm



Thor Accessories

