

From Batch 2411 All Nano EVO Floodlights come with a Stainless Steel Bracket



# Nano EVO LED Floodlight

## 150W

### Applications:

Residential and Commercial Applications.

- Driver on board technology allowing for an ultra-lightweight, compact design with minimal aesthetic impact.
- Thermally tested aluminium fins providing as a heat sink.
- Die Cast Aluminium body, powder coated black with 316 Stainless Steel bolts and screws.
- All our Nano EVO Range LED Floods come complete with a 1m installation cable.
- DC12V Nano flood available in 20W
- Save up to 80% off your electrical bill as oppose to your HID lamps.
- Increase your safety with it's excellent light output and clarity.
- Easy to install 20° smart bracket.
- Available in 20W-200W. 10W/300W/500W are available in Nano range.

### Product Performance

<b>Wattage</b>	150W
<b>Colour Temperature &amp; Stock Code</b>	6000K - <b>F4172</b>
<b>Operating Temperature</b>	-35~45°C
<b>Life Span</b>	25000hrs
<b>IP Rating</b>	IP65
<b>LED Driver Brand</b>	DOB
<b>Beam Angle</b>	120°
<b>Impact Protection Grade</b>	IK06
<b>Input Voltage</b>	200-260V
<b>Surge Protection</b>	4kV
<b>Power Factor</b>	0.9
<b>CRI</b>	>83
<b>Lumen Output</b>	15 000
<b>Lumen Efficiency</b>	100 LM/W
<b>LED Chips</b>	2835 Sanan
<b>LED Chips Qty</b>	210
<b>Dimmable</b>	Non-Dimmable
<b>Dimmable Range</b>	-
<b>(Dali/Trailing/Leading)</b>	-

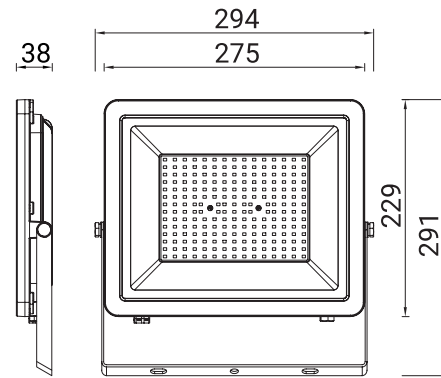
### Physical Characteristics

<b>Weight (g)</b>	1820
<b>Housing Material</b>	Die-cast Aluminium
<b>Product Dimensions (mm)</b>	275*52*229
<b>Cable Length</b>	100cm
<b>Mounting Option</b>	Surface
<b>Bracket Material</b>	Stainless Steel
<b>Bolts and Screws</b>	Stainless Steel

## Packaging



## Dimension Drawing



## Technical Parameters

<b>Input Current</b>	645mA
<b>Output Voltage</b>	252
<b>Flicker Free (Y/N)</b>	No
<b>Humidity</b>	-20~45°C
<b>Frequency</b>	50hz
<b>In Rush Current</b>	400A
<b>Output Current</b>	505mA
<b>THD</b>	<15%
<b>TA &amp; TC</b>	TA=85 /TC=80
<b>IES (Yes or No)</b>	Yes

## Regulatory Qualifications

<b>Class Rating</b>	Class I
<b>Energy Efficiency</b>	A
<b>Certification</b>	CE, EMC, ErP, IEC60598

## Accessories

### Optional accessories

-

## Packaging info

<b>Storage Temp</b>	-20~40°C
<b>Carton Size (mm)</b>	46.5*32.5*29
<b>QTY/CTN</b>	8
<b>Net Weight</b>	14,6
<b>Gross Weight</b>	16,6