

Motion Sensor ON/OFF



Summit Solar Street Light

60W

Applications:

Residential and Commercial Applications.

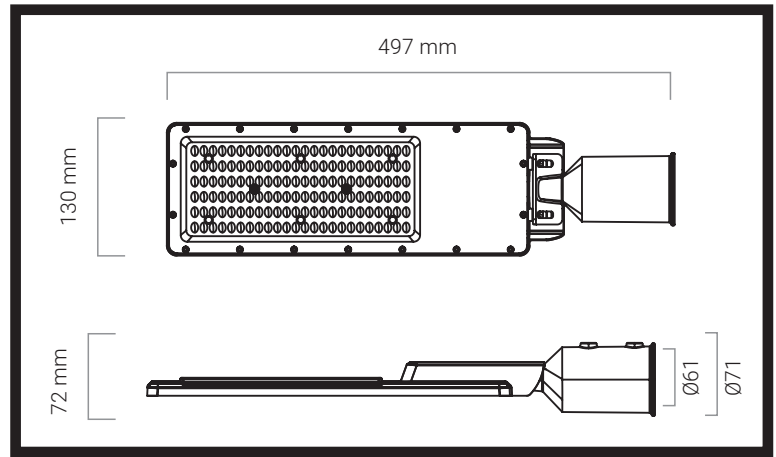
- Full Solar Powered LED Streetlight, providing **125lm/W** with **Sanan SMD LED Chips**.
- **Multiple Brightness settings** to ensure longevity of the LEDs, as well as power conservation. The **Motion Sensor mode** is also available and can be turned on/off with the remote control.
- The **Lithium Ion battery** is housed on the Solar Panel, allowing for larger capacity ensuring a longer time with a higher lumen output.
- **Disc Swivel Bracket** provided to allow for precise aiming of the solar power allowing for maximum radiation.
- **IP66 Rated** Luminaire, providing ample protection against rain & dust.
- Environmentally LED solution containing **no mercury or harmful chemicals**.
- **Pure Aluminium Housing & Fins**, serving as a quick and efficient heatsink increasing the LEDs Lifespan.

Product Performance	
Wattage	60W
Colour Temperature & Stock Code	• 6000K Motion Sensor - FS103S • 4000K Motion Sensor - FS104S
Operating Temperature	-25~45°C
IP Rating	IP66
Beam Angle	Type II Lens
Impact Protection Grade	IK06
Input Voltage	14.5-16V
CRI	>70
Lumen Output	9 000 Lumens
Lumen Efficiency	150lm/W
LED Chips	2835
LED Chips Qty	144
LED Chip Brand	Sanan
Physical Characteristics	
Weight (kg)	4.67
Housing Material	Aluminum
Product Dimensions (mm)	497*130*72
Cable Length	50cm
Mounting Option	Aluminium Adaptor/Disk
Bracket Material	201 Stainless steel
Bolts and Screws	Stainless steel
Battery	
Battery	32700 Lithium LFP Battery x 15
Battery Specs	9.6V 30Ah
Battery Replaceable	Yes
Automatic Mode	Lasts >15 hours

Packaging



Dimension Drawing



Technical Parameters

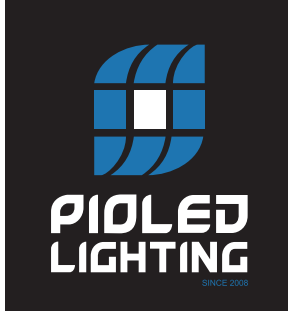
Input Current	5.3A
Output Voltage	28-30V
Flicker(Y/N)	No Flicker
Humidity	0~35°C
Frequency	-
In Rush Current	-
Output Current	1.8A
THD	-
TA & TC	90&85
IES (Yes or No)	No
Regulatory Qualifications	
Class Rating	Class III
Energy Efficiency	A
Certification	CE, EMC, MSDS, UN38.3
Accessories	

Accessories

FS121 - 9.6V 30AH 32700 LFP battery x 15 for SUMMIT 60W (SQ)
 FS130 - Aluminium Round Disk for SUMMIT Black (60W If Panel on the light)
 FS131 - 50CM Black Pole Arm - Galvanized Iron + Black Powder Coat Paint
 FS132 - Aluminium D76 POLE Adaptor for SUMMIT Black (If Panel is on Top of The Pole)

Packaging info

Storage Temp	20~40°
Carton Size (mm)	57.5*39*20
QTY/CTN	2
Net Weight	11.1kg
Gross Weight	13.1kg



Summit Solar Panel

80W

Product Performance

Wattage 80W (21% efficiency Monocrystalline solar)

Stock Code **FS103P**

Operating Temperature 0~35°C

IP Rating IP66

Physical Characteristics

Weight (kg) 5.3

Product Dimensions (mm) 800x580x30

Bracket Material 201 Stainless steel

Bolts and Screws Stainless steel

Output Voltage 15V

Humidity 0~35°C

Output Current 5.3A

TA & TC 90&85

Energy Efficiency A

Packaging info

Storage Temp 20~40°

Carton Size (mm) 84*17.5*61

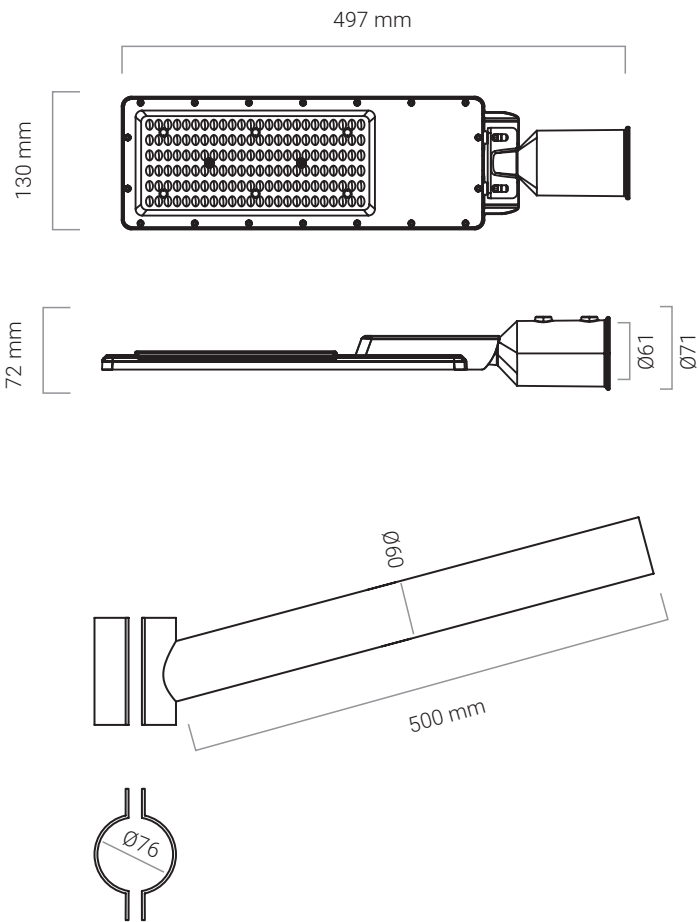
QTY/CTN 2

Net Weight 10.7kg

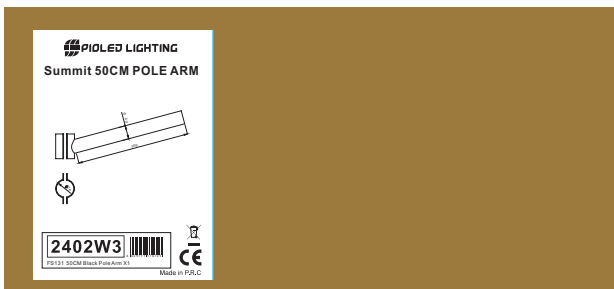
Gross Weight 13.9kg

Summit Pole Arm & Panel

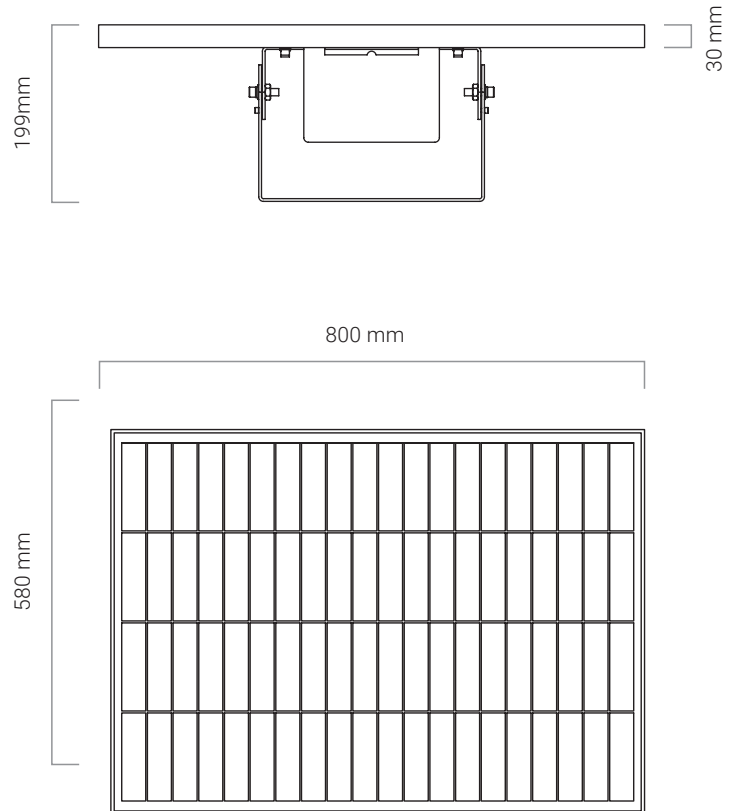
Dimension Drawing Pole Arm



Packaging



Dimension Drawing Panel



Packaging

