



IP65 Heavy Duty UFO Highbay

160W

Applications:

Residential and Commercial Applications.

- Meanwell IP65 constant current driver with 6kV Built in Surge Protection.
- High Lumen Philips LED Chips delivering an impressive 170lm/W.
- Suspension or Bracket mount options.
- 90° standard beam angle with a 120° optic optional.
- High CRI, smooth and even light distribution increasing visibility, safety and clarity reducing unnecessary workplace injuries.
- Eco friendly alternative to HID lamps containing no mercury, lead or harmful chemicals.
- Eliminates the need for unnecessary annual/bi-annual lamp and ballast replacement costs.
- Thermally tested to ensure ample heat dissipation increasing longevity of the luminaire.
- Short Circuit Protection, Over Current Protection, Over Voltage Protection, Under Voltage Protection, Over Temperature Protection.

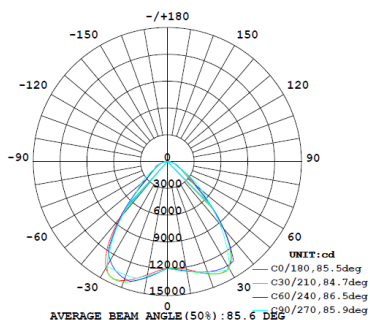
Product Performance

| | |
|--|--|
| Wattage | 160W |
| Colour Temperature & Stock Code | 5700K 120° - HB003 5700K 90° - HB004 |
| Operating Temperature | -40~40°C |
| Life Span/ LB Rating | L80B10@50 000hrs |
| IP Rating | IP65 |
| LED Driver Brand | Mean Well |
| Beam Angle | Available in 90° & 120° |
| Impact Protection Grade | IK08 |
| Input Voltage | 85V- 277V |
| Surge Protection | 6kV |
| Power Factor | 0.95 |
| CRI | >83 |
| Lumen Output | 27 200 |
| Lumen Efficiency | 170lm/W |
| LED Chips | Philips 3030 |
| LED Chips Qty | 245 |
| Dimmable | No |
| Dimmable Range | - |
| (Dali/Trailing/Leading) | - |

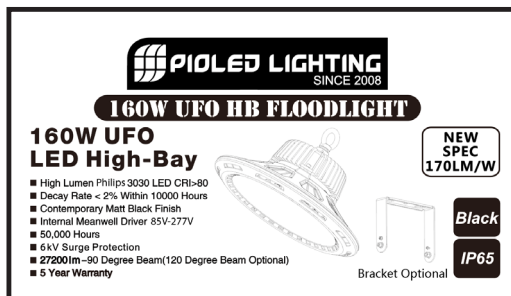
Physical Characteristics

| | |
|--------------------------------|-----------------------|
| Weight (g) | 3300 |
| Housing Material | Aluminium Heat Fins |
| Product Dimensions (mm) | Φ325*201mm |
| Cable Length | 50 cm |
| Mounting Option | Suspension or Bracket |
| Bracket Material | Aluminium |
| Bolts and Screws | 304 Stainless Steel |

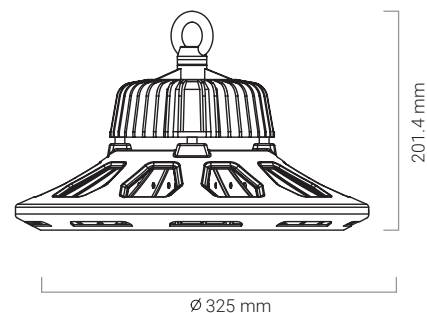
Luminous Intensity Distribution Diagram



Packaging



Dimension Drawing



Technical Parameters

| | |
|------------------------|-------------|
| Input Current | 0.7A |
| Output Voltage | 42V |
| Humidity | 10-98%RH |
| Frequency | 50/60Hz |
| In Rush Current | 65A |
| Output Current | 3500mA |
| THD | <20% |
| TA & TC | TA=45/TC=90 |
| IES (Yes or No) | Yes |

Regulatory Qualifications

| | |
|--------------------------|------------------------|
| Class Rating | Class I |
| Energy Efficiency | A |
| Certification | CE, EMC, RoHS, ISO9001 |

Accessories

Optional accessories

120° Lens - **HB004A**
Mounting Bracket Optional - **HB004C**

Packaging info

| | |
|-------------------------|-------------|
| Storage Temp | -20~+70°C |
| Carton Size (mm) | 410*410*220 |
| QTY/CTN | 1 |
| Net Weight | 4,21 |
| Gross Weight | 5.2 |