



Sauron 3CCT Round LED Downlighter

28/30/32/35W

Applications:

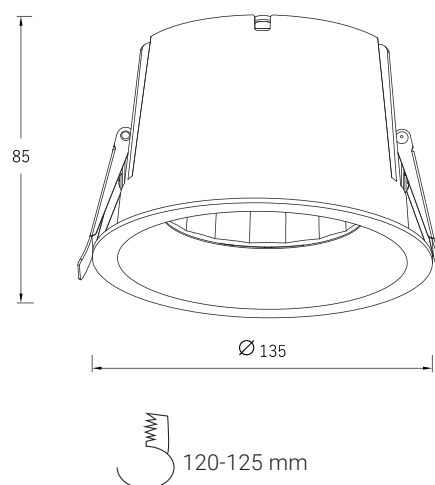
Residential and
Commercial Applications.

Product Performance	
Wattage	28/30/32/35W
Colour Temperature & Stock	HD017 3CCT (3000K/4000K/6000K)
Operating Temperature	-15~45°C
Life Span/ LB Rating	L80B10@50000
IP Rating	IP44
LED Driver	Flicker free AGT Driver
Beam Angle	45°
Input Voltage	AC 200-277V
CRI	>80
Power Factor	>0.95
Surge Protection	3kV
Lumen Output	35W = 4200lm 32W = 3840lm 30W = 3600lm 28W = 3360lm
Lumen Efficiency (per watt)	120lm/W
LED Chips	High Lumen USA Bridgelux COB
LED Chips Qty	1pc COB
Dimmable	No
Dimmable Range	-
(Dali/Trailing/Leading)	-
UGR	<19
Physical Characteristics	
Weight (g)	710
Housing Material	Aluminium
Product Dimensions (mm)	D135*85
Cable length	49cm
Mounting Option	Recessed
Bracket Material	Iron
Bolts and Screws	Iron with nickel plating

Packaging



Dimension Drawing



Technical Parameters

Input Current	0.17A
Output Voltage	28-40V
Flicker Free (Y/N)	Yes
Humidity	20-80%
Frequency	50-60Hz
In Rush Current	30A
Output Current	850mA
TA & TC	Ta:45°C Tc:85°C
IES (Yes or No)	Yes

Regulatory Qualifications

Class Rating	Class I
Energy Efficiency	A
Certification	CE, RoHS, IEC60598, ErP

Accessories

Optional accessories	HD017A - Black Trim For SAURON 35W
-----------------------------	---

Packaging info

Storage Temp	-20°~50°
Carton Size (mm)	445x340x325
QTY/CTN	18
Net Weight (kg)	0,71
Gross Weight (kg)	0,805