

Dual T8 Tube Open Channel

4ft

Applications:

Residential and
Commercial Applications.

Wired for single sided
power LED T8 Tubes only

Product Performance

Stock Code	TF016
IP Rating	IP20

Physical Characteristics

Weight (kg)	0.8
Housing Material	0.35mm Thick Iron body
Product Dimensions (mm)	1200x34x80
Mounting Option	Surface Mount

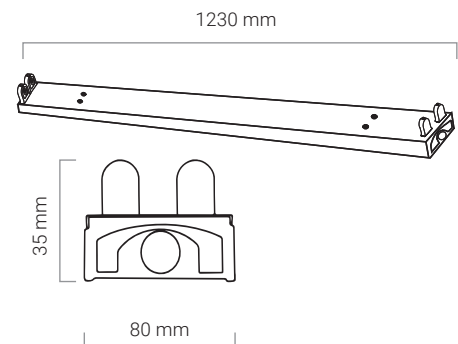
Packaging info

Carton Size (mm)	L1235*W165*H265
QTY/CTN	14
Net Weight	10,3
Gross Weight	13,9

Packaging



Dimension Drawing



E&OE

PioLED Lighting (Pty) Ltd | 031 701 5746 | info@pioledlighting.co.za

www.pioledlighting.co.za