

# Iris 2-in-1 Round Ceiling Light

18W

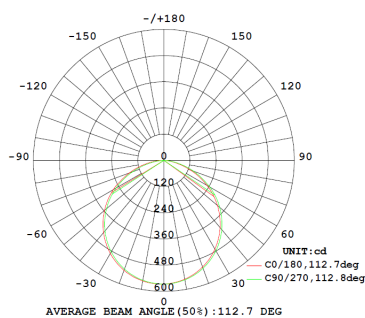
## Applications:

Residential and Commercial Applications.

- **Thermal Plastic** housing coupled with internal aluminium providing as the heat sink.
- **Driver on board** technology allowing for an ultra slim aesthetically pleasing luminaire at only **15 mm** thick.
- **Surface mount** or **Recessed mount** with its uniquely adjustable clips – Can cover square or round existing ceiling holes.
- **Flicker Free** technology making it the ideal luminaire for offices or specialized environments.
- Matt Black or Satin Nickle Magnetic Trims optional.
- **CCT Adjustable** and **dimmable** options available.
- Extremely **quick installation**.

Product Performance	
<b>Wattage</b>	18W
<b>Colour Temperature &amp; Stock Code</b>	<b>i029</b> - 6000K   <b>i030</b> - 4000K <b>i043</b> - 3CCT (3000/4000/6000K)
<b>Operating Temperature</b>	-20~45°C
<b>Life Span/ LB Rating</b>	25000hrs
<b>IP Rating</b>	IP33
<b>LED Driver</b>	High Spec PioLED Driver
<b>Beam Angle</b>	110°
<b>Input Voltage</b>	200V- 265V
<b>CRI</b>	>83
<b>Power Factor</b>	0.9
<b>Surge Protection</b>	1kV
<b>Lumen Output</b>	1600lm
<b>Lumen Efficiency (per watt)</b>	76-88lm/W
<b>LED Chips</b>	2835 Sanan
<b>LED Chips Qty</b>	84 - Single Colour   168 - 3CCT
<b>Dimmable</b>	Yes Optional 3CCT Dim i043
<b>Dimmable Range</b>	10%-100%
<b>(Dali/Trailing/Leading)</b>	-
<b>UGR</b>	-
Physical Characteristics	
<b>Weight (g)</b>	420
<b>Housing Material</b>	PC & Internal Aluminium
<b>Product Dimensions (mm)</b>	Φ217*H15
<b>Cable length</b>	180mm
<b>Mounting Option</b>	Recessed/Surface Mount
<b>Bracket Material</b>	Iron
<b>Bolts and Screws</b>	2pcs Bolts and 3pcs Screws

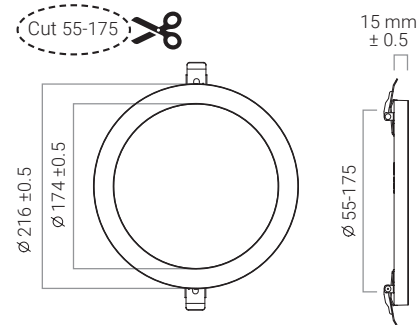
## Luminous Intensity Distribution Diagram



## Packaging



## Dimension Drawing



## Technical Parameters

Input Current	0.086-0.146A
Output Voltage	232V
Flicker Free (Y/N)	Yes
Humidity	10%-80%
Frequency	50Hz
In Rush Current	0.7A
Output Current	60±10mA
THD	-
TA & TC	-
IES (Yes or No)	Yes

## Regulatory Qualifications

Class Rating	Class I
Energy Efficiency	A
Certification	CE, EMC, IEC60598, TUV, LVD, SAA, RoHS, ISO9001

## Accessories

Optional accessories	18W Exchangeable Trim for IRIS Black - i094r 18W Exchangeable Trim for IRIS Satin Nickel - i098r
----------------------	---

## Packaging info

Storage Temp	-40°C-45°C
Carton Size (mm)	445*250*465
QTY/CTN	20
Net Weight (kg)	10,85
Gross Weight (kg)	11,2