

# Aluminium Profiles

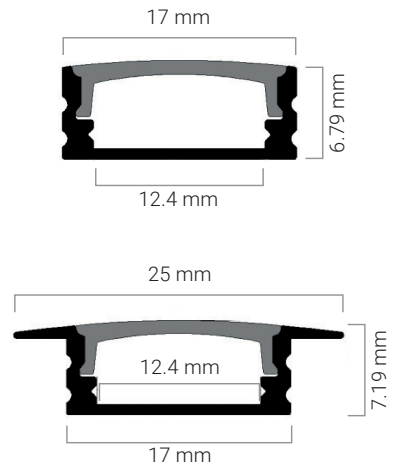
## Slim 27/28 Aluminium Profiles



CH73

CH70

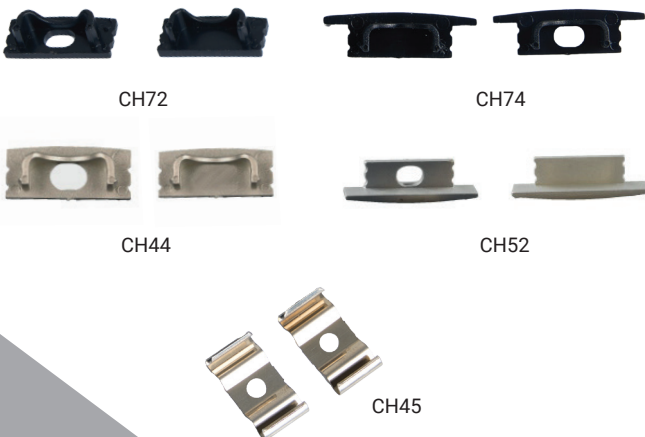
CH71



CH51

CH41

## Slim 27/28 Aluminium Profile End Caps



CH72

CH74

CH44

CH52

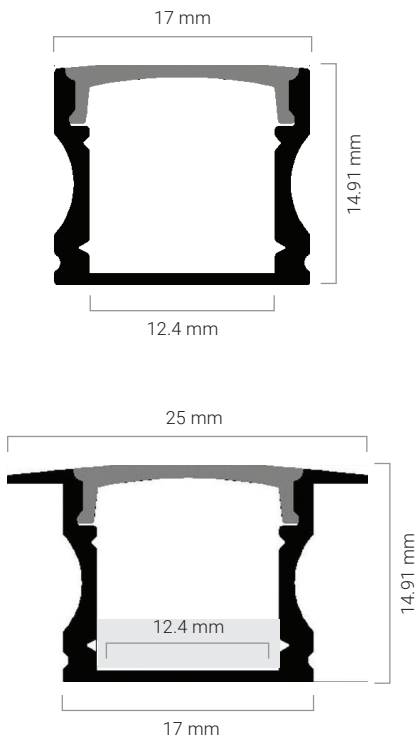
CH45

CODE	DESCRIPTION
CH41	AL Slim27 Surface Profile - 2M
CH42	Opal Cover Slim27n28n1716 - 2M
CH43	Clear Cover Slim27n28n1716 - 2M
CH44	End Cap Slim27 x 2 / Pair
CH45	Steel Holder for Slim27n28n1716
CH51	AL Slim28 Profile Recessed - 2M
CH52	End Cap Slim28 x 2 / Pair
CH70	BLACK AL Slim27 Profile - 2M
CH71	BLACK Opal Cover Slim27/28 - 2M
CH72	BLACK End Cap Slim27 x 2 / Pair
CH73	BLACK AL Slim28 Profile Recessed - 2M
CH74	BLACK End Cap Slim28 x 2 / Pair

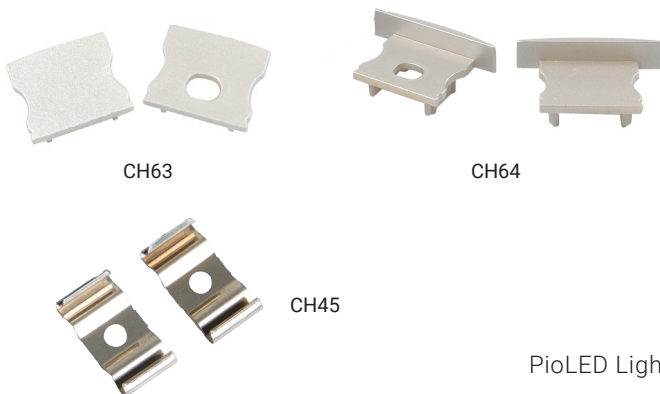


# Aluminium Profiles

## 1716 Dotless Aluminium Profile

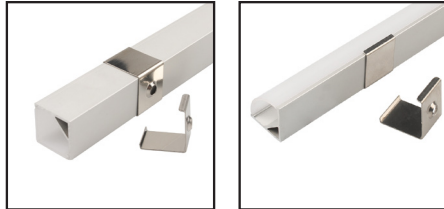


## 1716 Dotless Aluminium Profile End Caps



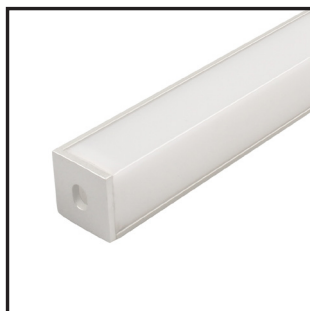
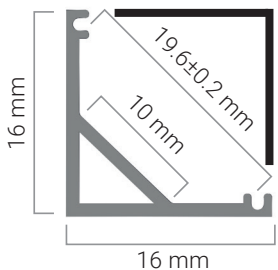
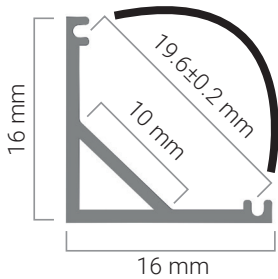
CODE	DESCRIPTION
CH61	AL Dotless 1716 Profile Surface - 2M
CH62	AL Dotless 1716 Profile Recessed - 2M
CH63	End Cap 1716 Surface x 2 / Pair
CH64	End Cap 1716 Recessed x 2 / Pair
CH45	Steel Holder for Slim27n28n1716

E&OE



# Aluminium Profiles

## 1616 Corner Aluminium Profile



## 1616 Corner Aluminium Profile End Caps



CH351

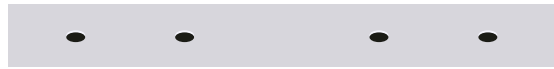


CH361

CODE	DESCRIPTION
CH311	Corner Profile S1616- 2M
CH321	Opal Cover Round S1616 - 2M
CH331	Opal Cover Square S1616 - 2M
CH34	Steel Holder - S1616
CH351	End Cap for Round S1616 / pair
CH361	End Cap for Square S1616 / pair
CH37	90D Corner Connector S1616



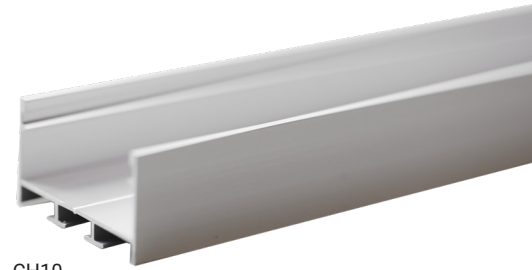
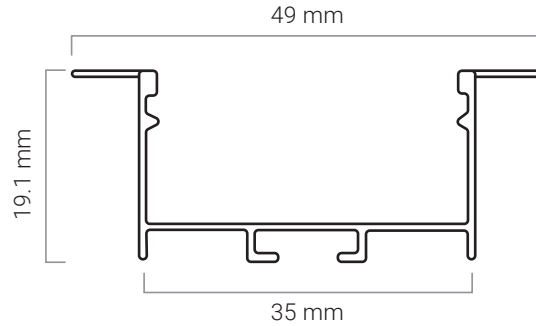
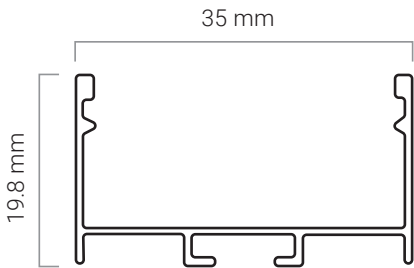
CH22



CH21

# Aluminium Profiles

**Silver/Black 3520  
Aluminium Profile**



CH10



CH12



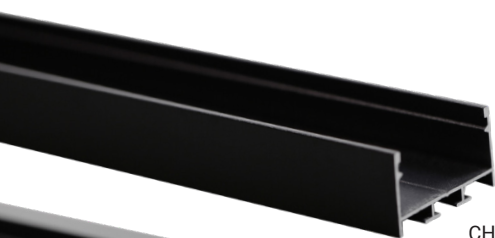
CH32



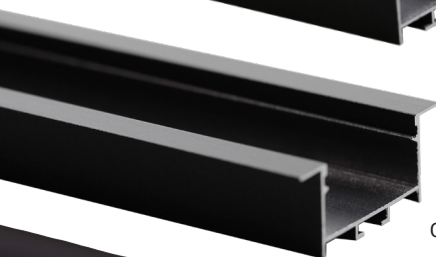
CH14



CH15



CH16



CH17



CH18



CH19



CH20

CODE	DESCRIPTION
CH10	Silver 3520 Surface-2M
CH12	Silver 3520 Recessed-2M
CH13	Opal Cover for 3520 - 2M
CH14	End Cap for 3520 Silver Surface/ pair
CH15	End Cap for 3250 Silver Recessed/ pair
CH16	Black 3250 Surface-2M
CH17	Black 3250 Recessed-2M
CH18	Black Opal Cover for 3250 - 2M
CH19	End Cap for 3250 Black Surface/ pair
CH20	End Cap for 3250 Black Recessed/ pair
CH21	3520 to 3520 connecting plate I shape
CH22	SS Clips for 3520

E&OE