

Stair Light Controller

DC 12-24V

R001T - IP20 Surface Square Sensors in pair white

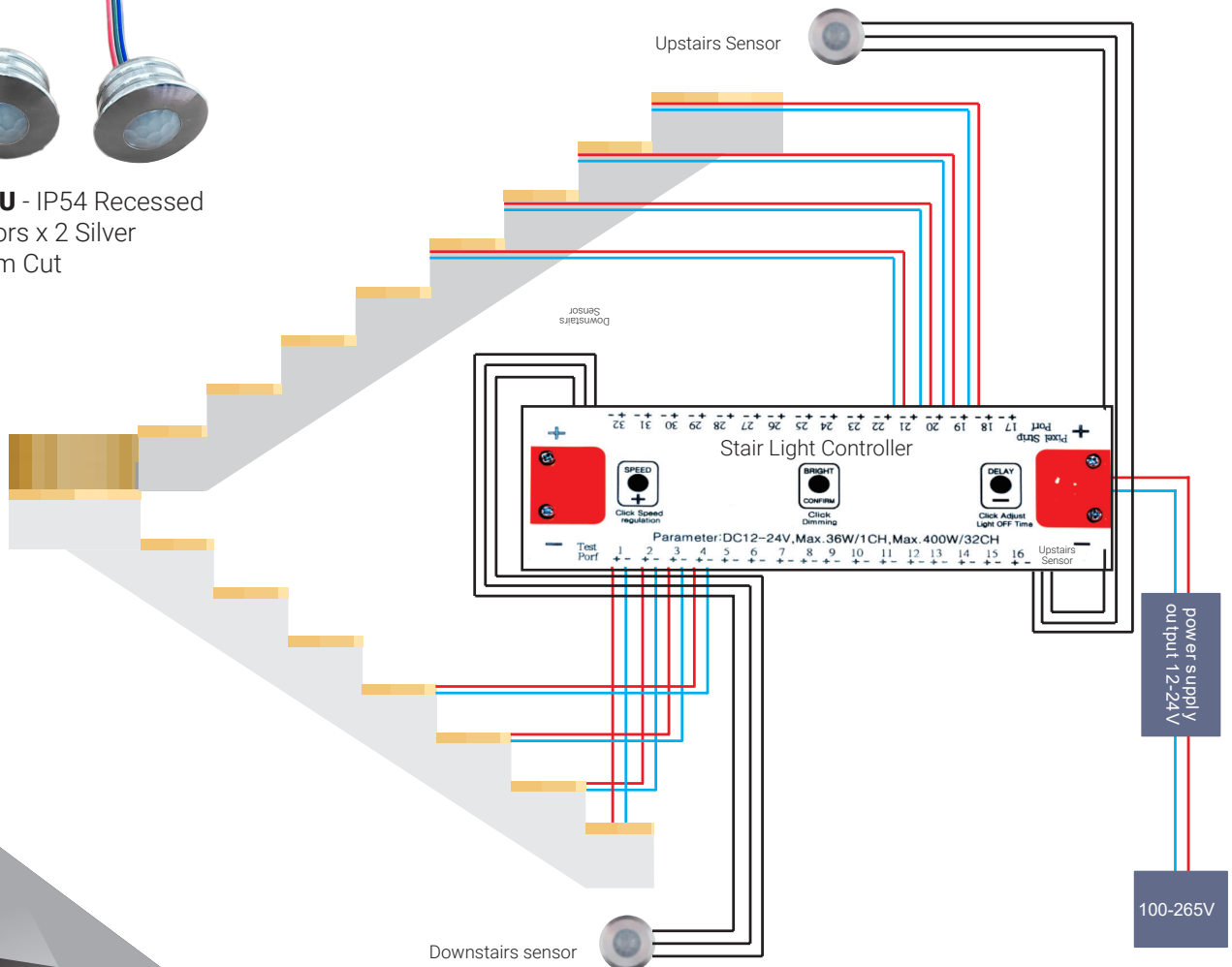
Applications:

Residential and Commercial Applications.

Product Performance	
Max Wattage	400W
Stock Code	R001S - Stair Strip Sensor Controller 12/24V Max 350W 32CH (IP20 Sensors x 2)
IP Rating	IP20
Input Voltage	100V-265V
Dimmable	Yes
Optional Accessories	
Optional Pair of Sensors	R001T - IP20 Surface Square Sensors in pair white for R001S
	R001U - IP54 Recessed Sensors x 2 Silver Φ 2mm Cut for R001S



R001U - IP54 Recessed Sensors x 2 Silver Φ 2mm Cut



Key operation and function description

Function	Steps	Description
Set the number of steps	1	Long press "speed" in 3s to enter the number of steps setting, default 1st and 2nd step lights on
	2	Tap or long press "speed" to increase the number of lights
	3	Tap or long press "delay" to reduce the number of lights
	4	Long press "Brightness" button to save setting and exit
Adjust speed		Tap "speed" button to adjust the speed of all step lights on and off, 0.2–1.6s, 8 levels
Adjust brightness		Tap "brightness" button to adjust the brightness of all step lights, 10%–100%, 8 levels
Adjust delay time		Tap "delay" button to adjust the delay time of all step lights, 3s – 20ms, 8 levels
Switching mode Long press "brightness" button in 3s to enter the switching mode state, then tap the brightness key to switch modes	Mode 1 Step-by-Step Model	Trigger sensor upstairs, light turn on gradually from the 1st step
		Trigger sensor downstairs, light turn on gradually from the last step
	Mode 2 Full bright mode	Trigger sensor upstairs or downstairs, all lights turn on gradually at the same time
	Mode 3 Demo Mode	No sensor needed, light automatically cycle infinitely with meteor effect

Level Tap	1	2	3	4	5	6	7	8
SPEED	0.2s	0.4s	0.6s	0.8s	1s	1.2s	1.4s	1.6s
BRIGHTNESS	10%	20%	40%	50%	60%	70%	80%	100%
DELAY	3s	10s	30s	1min	5min	10min	15min	20min

Product specification



Voltage: DC12-24V Total power \leq 350W Single-way power \leq 36W

Special Notes



1. The Staircase Controller is strictly for 12/24V Systems only. 220V Connection will cause the controller to fail.
2. Please connect the Staircase Controller to your 12/24V DC Powersupply with the power turned off. If the power is on, you have a possibility of causing a short circuit and damaging the controller.
3. This product is not designed to be used outdoors as it not waterproof.
4. Please do not overload the controller above maximum rated parameters.